



Main Features:-

- ◆ Cast Iron 3 Way Flanged Ball Valve
- ◆ Flanged PN16
- ◆ L (10073) port or T (10072) port version
- ◆ Stainless Steel Ball and Stem
- ◆ Available manual or with actuator

*Temperature and pressure determined by valve body, seat etc.

Suitable Applications & Approvals:



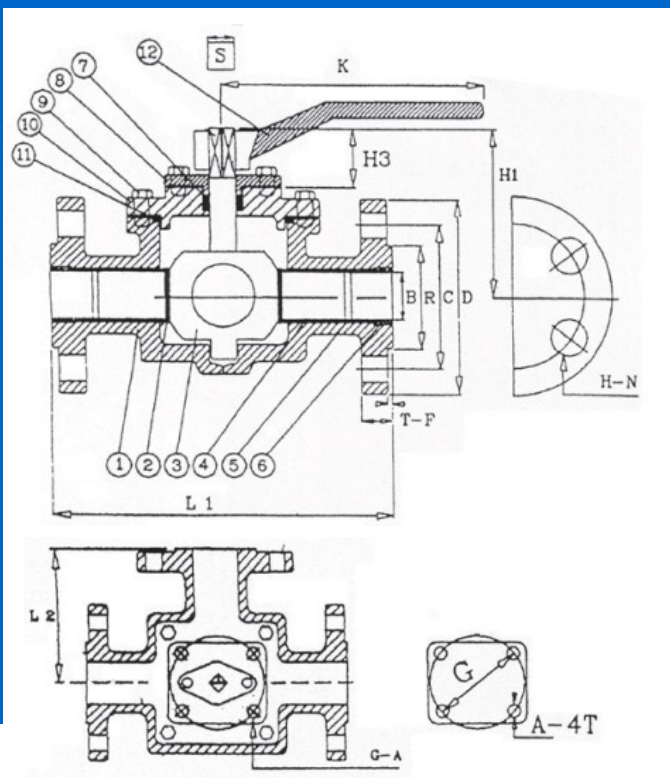
SERIES: 10072-10073

MANUFACTURER: **AVOL**
INDUSTRIAL VALVES

SIZE	CODE	L1	L2	B	D	T	R	F	C	H1	H3	K	G	Nm	KG
2"	10073/10072-09	220	110	47	165	18	102	2	125	136	46	230	70	29.40	4.0
2 1/2"	10073/10072-10	250	125	63	185	18	122	2	145	150	55	330	102	48.02	5.4
3"	10073/10072-11	260	130	74	200	20	138	2	160	160	60	330	102	70.56	9.2
4"	10073/10072-12	340	170	97	220	20	158	2	180	172	60	330	102	94.06	13.5
5"	10073/10072-13	424	212	123	250	22	188	2	210	220	65	700	125	318.6	19.3
6"	10073/10072-14	435	217	144	285	22	212	2	240	240	65	700	125	382.2	57.0

VALVE DIMENSIONS

DIMENSIONAL DRAWING OF VALVE

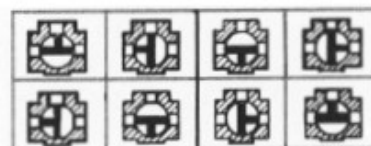


MATERIALS OF CONSTRUCTION

BODY	CAST IRON
BALL	CF8
BODY SEAT	TEFLON
STEM	CF8
ORINGS	NBR
PRESSURE	PN16
TEMP	-10 to +100C

Flow paths available

T Port



L Port



T +44 (0)1386 552369

W www.allvalves.co.uk

E sales@allvalves.co.uk

F +44 (0)1386 554227

